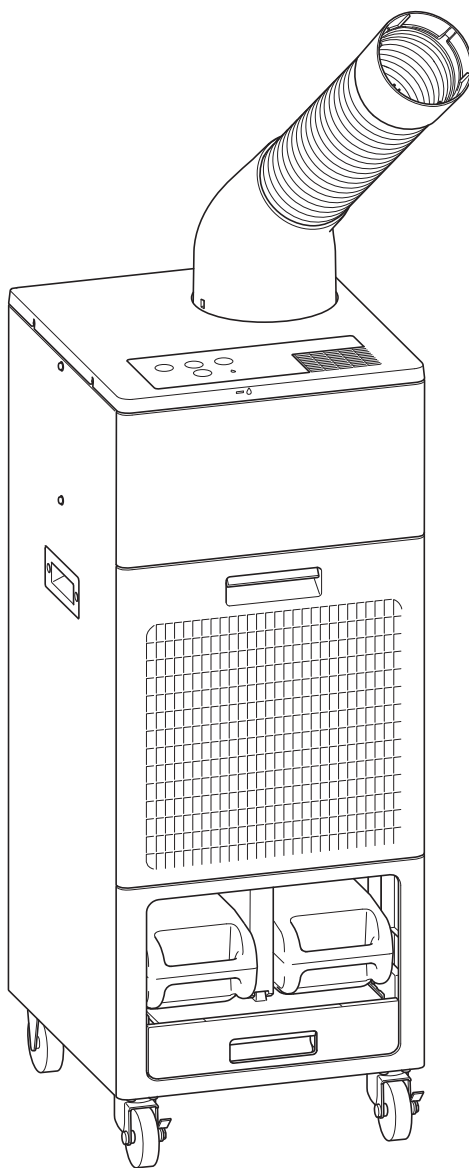


Spot Cooler

Pure Drive

PD-7100S

User's Guide



Thank you for purchasing this product.



- Please read this manual before using this product.
- Please be careful not to lose this document and to keep it handy so that you can refer to it at any time.






Table of Contents







How to Read this Guide	2
Use the Product Safely	3
Wiring power supplies and devices	3
DO NOT use in the following ways:	3
If this happens	4
Other precautions	4
Part Names	6
1. Preparation before Use	8
How to lift this product	8
Securing and unlocking this product	8
How to attach and remove the duct	9
Connecting the power plug	10
How to supply water	10
How to drain	11
How to replace the duct	13
2. First of All, Let's Try	14
Starting operation	14
Changing the air volume	14
Changing the mode	15
Muting the operation sound	15
Switching the swinging	15
Timing of water supply	15
Stopping operation	16
3. How to Clean	17
Maintaining the air filter	17
Cleaning the cooling unit	19
Cleaning the sub tank	23
Cleaning the water filter	24
4. Troubleshooting	25
5. Accessories	27
6. Specifications	28
7. When Storing (When Not Using for a Long Period of Time)	28

How to Read this Guide

If you have concerns about how to use your product safely after reading this guide, contact Brother customer service or your local Brother dealer. Failure to follow these instructions may result in an increased risk of personal injury or damage to property, including through fire, electric shock, burns, or suffocation. Brother shall not be liable for damage caused where the product owner has failed to follow the instructions set out in this guide. The following symbols and conventions are used throughout this document.

 WARNING	WARNING indicates a potentially hazardous situation which, if not avoided, could result in death or serious injuries.
 CAUTION	CAUTION indicates a potentially hazardous situation which, if not avoided, may result in minor or moderate injuries.
IMPORTANT	IMPORTANT indicates a potentially hazardous situation which, if not avoided, may result in damage to property or loss of product functionality.
NOTE	NOTE specifies the operating environment, conditions for installation, or special conditions of use.
Tips	This guide provides supplementary information regarding the operating procedures of this product.












	Fire Hazard icons alert you to the possibility of a fire.
	Electrical Hazard icons alert you to possible electrical shocks.
	Prohibition icons indicate actions that must not be performed.
	This icon indicates that the product may ignite due to an external fire.
	This icon indicates that touching certain parts of the product may cause an injury.

	This icon indicates that disassembling the product may cause an injury, such as an electric shock.
	This icon indicates that handling the product with wet hands may result in an electric shock.
	This icon indicates that getting the product wet may result in an electric shock.
	This icon indicates that you "must do" the indicated action.
	This icon indicates that you should unplug the power plug from the electrical socket.
	This icon indicates that you should connect the earth.



Use the Product Safely

Wiring power supplies and devices

WARNING










	If the supply cord is damaged, it must be replaced by the manufacturer, its service agent or similarly qualified persons in order to avoid a hazard.
	Always connect the earth before use. Also, use an electrical socket equipped with an earth leakage breaker. Incomplete earthing may result in an electric shock.
  	Use the AC 220 to 230 V power supply. DO NOT use with a DC power supply or inverter (DC-AC conversion device). This may cause a fire or electric shock. If you are not sure whether the electrical socket for connecting this product is an AC or DC power supply, consult a qualified electrician.
	Make sure you insert the power plug firmly into the electrical socket. If the plug is not inserted securely, water, dust, or other foreign matter may get into the gap, causing a fire or electric shock.
	Periodically unplug the power cord and power plug from the electrical socket and check them for damage, such as heat generation, rust, bends, abrasions, or cracks. Continuing to use a damaged cord may cause a fire or electric shock.
 	DO NOT forcibly bend, pull, or alter the power cord, or use the power cord while it is bundled. Damage to the power cord may cause a fire.
   	Unplug the power plug if the product is not to be used for an extended period of time. This may result in an electric shock or a fire by electrical leakage due to a deterioration of the insulation. Also, DO NOT plug or unplug the power plug with wet hands. This may result in an electric shock.
	When cleaning this product, always unplug the power cord from the electrical socket. There is a risk of a fire or electric shock. When unplugging the power cord, hold the plug itself and DO NOT pull the cord.

CAUTION

	To completely cut off the power to this product, you must unplug the power plug from the electrical socket. Install this product near an electrical socket so that you can quickly unplug it in an emergency situation.
	DO NOT place any objects around the power cord so that you can unplug the power cord at any time. The power cord may become difficult to unplug in an emergency.








DO NOT use in the following ways:

WARNING

  	DO NOT use in places subject to rain or water. This may cause an electric shock or fire due to a water leakage.
  	DO NOT use near open flames or in places where sparks may be emitted. This may cause a unit deformation or fire.
  	DO NOT use for air conditioning on ships or vehicles. This may cause an electric shock or fire due to a water leakage or earth leakage.
	DO NOT use in places where conductive dust, such as carbon or metal, is generated. This may cause a fire or electric shock due to a short circuit.
	DO NOT use outside the guaranteed operating temperature range. This may cause a fire or malfunction. The guaranteed operating environment range is as follows. Temperature: 5 to 45°C











If this happens

WARNING

   	<p>If there are any abnormal sounds, smoking, heating, or unusual odours, immediately unplug the power cord from the electrical socket, and contact Brother customer service or your local Brother dealer. Continuing to use the product in this condition may cause a fire or electric shock. Also, never attempt to repair the product yourself as this is dangerous.</p>
	<p>If the product falls over or is damaged, immediately unplug the power cord from the electrical socket, and consult the dealer where you purchased it or Brother customer service. Continuing to use the product in this condition may cause a fire or electric shock.</p>
  	<p>If you allow electrical parts inside the product to come in contact with electrically conductive foreign objects, such as those listed below, it may result in a fire or electric shock. If a foreign object gets inside the product, immediately unplug the power cord from the electrical socket, and consult the dealer where you purchased it or Brother customer service.</p> <ul style="list-style-type: none"> • Metal objects, such as paperclips and staples • Precious metals, such as necklaces and rings • Liquids, such as water, chemicals, and pet urine

Other precautions




WARNING

  	<p>DO NOT disassemble or modify the product. This may result in a fire or electric shock.</p>
  	<p>Keep away from open flames. There is a risk of a fire or electric shock.</p>
 	<p>DO NOT block the air intake, spot port, or exhaust port with paper or cloth. This may result in a malfunction or fire.</p>
 	<p>DO NOT remove the filter cover while the product is operating. You may be injured if you touch the rotating parts.</p>





- To prevent possible injuries, at least two people should lift the product.
- Do not remove any safety signs, stickers or labels from the device. Keep all safety signs, stickers and labels in legible condition.
- Packaging can be dangerous. Avoid leaving where it can be accessed by children.
- The device is not a toy and does not belong in the hands of children.

CAUTION

 	<p>Never insert fingers or sticks into the exhaust or spot ports. You may be injured if you touch the rotating parts.</p>
	<ul style="list-style-type: none"> • DO NOT use the unit with the casters (with lock) unlocked. The unit may move unintentionally, posing a risk of injury to the operator. In particular, lock the casters when operating the panel, installing or removing the duct, removing the tank, and during maintenance. • DO NOT remove or damage any of the caution or warning labels inside the product.

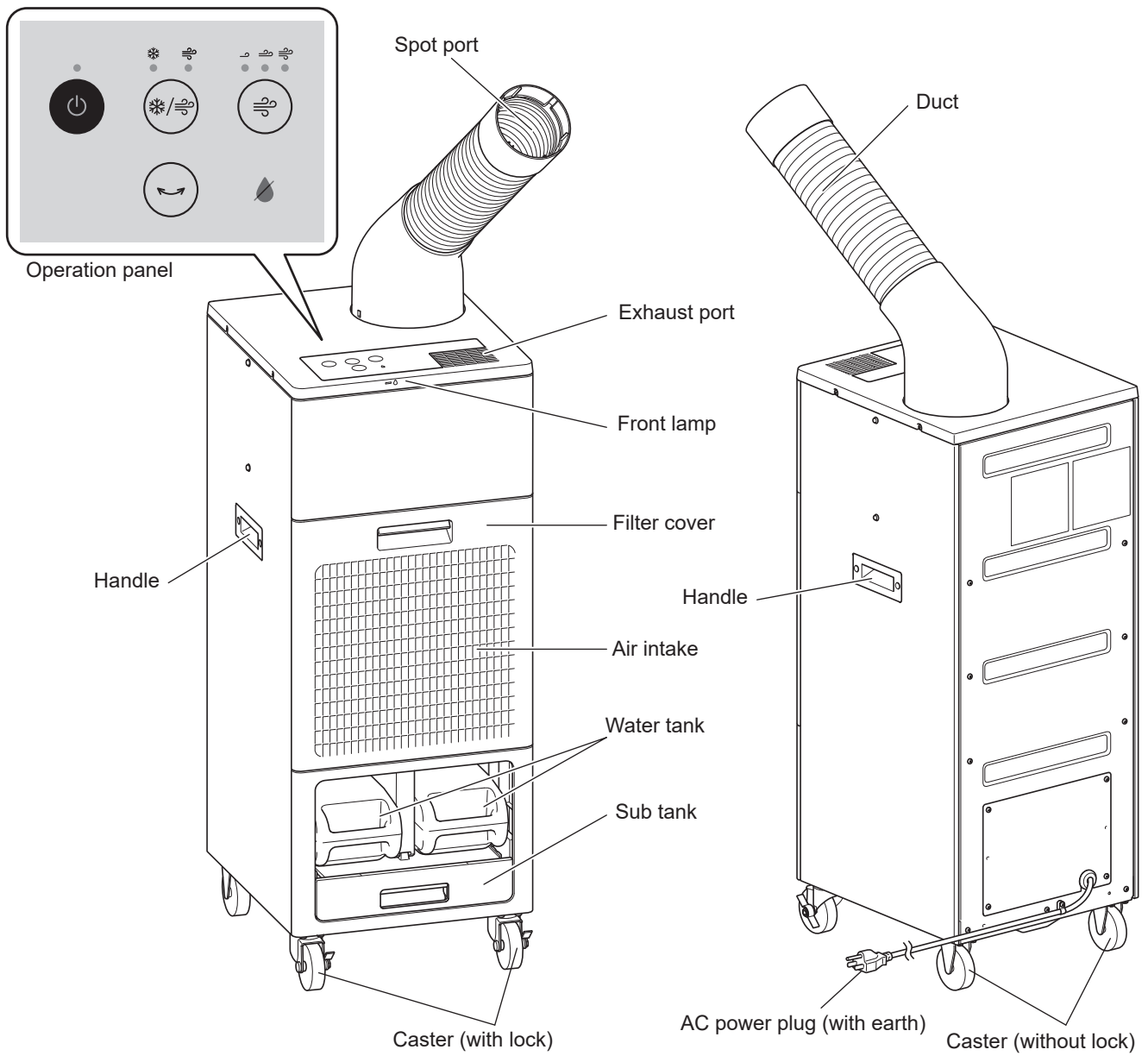
Other precautions (continued)

IMPORTANT

	Use the unit in an area with sufficient ventilation. Using the unit in a small enclosed space increases the humidity, which not only prevents the unit from achieving its cooling capacity, but may also trigger rusting on nearby metal equipment due to moisture.
	Leave a sufficient space (50 cm or more) around the unit's air intake. Placing the air intake too close to a wall or other obstacle may result in insufficient airflow and reduced performance.
	Keep the unit horizontal. Installing the unit at an angle may cause water to leak.
	Use tap water. Using well water or industrial water may cause odours to develop.
	Always drain the remaining water every day at the end of operation. Leaving water in the water tank or sub-tank may cause odours due to a decay or microbial growth.
	When transporting or moving the unit, be sure to secure the water tank, cooling air duct, and other parts securely before moving it.
	Depending on the type of dust or mist in the environment, the product may be damaged, leading to malfunctions or reduced performance.
	DO NOT move the unit while it is operating. This may cause a water leakage or malfunctions.
	Do not subject the unit to sudden changes in the temperature environment. Sudden changes in temperature may cause condensation to form inside the unit, which may cause damage.
	The cooling from the spot and exhaust ports is humid, so DO NOT place objects that are susceptible to rust in front of the unit.
	DO NOT use the unit in an environment where oil particles are suspended in the air. The circulating water may become contaminated with oil and become unusable. Install the unit in a location where clean outside air can enter.
	DO NOT put any objects on top of the product. Doing so may cause the product to malfunction.
	DO NOT remove the label with the serial number attached to the unit.
DO NOT rotate the swinging part using excessive force.	

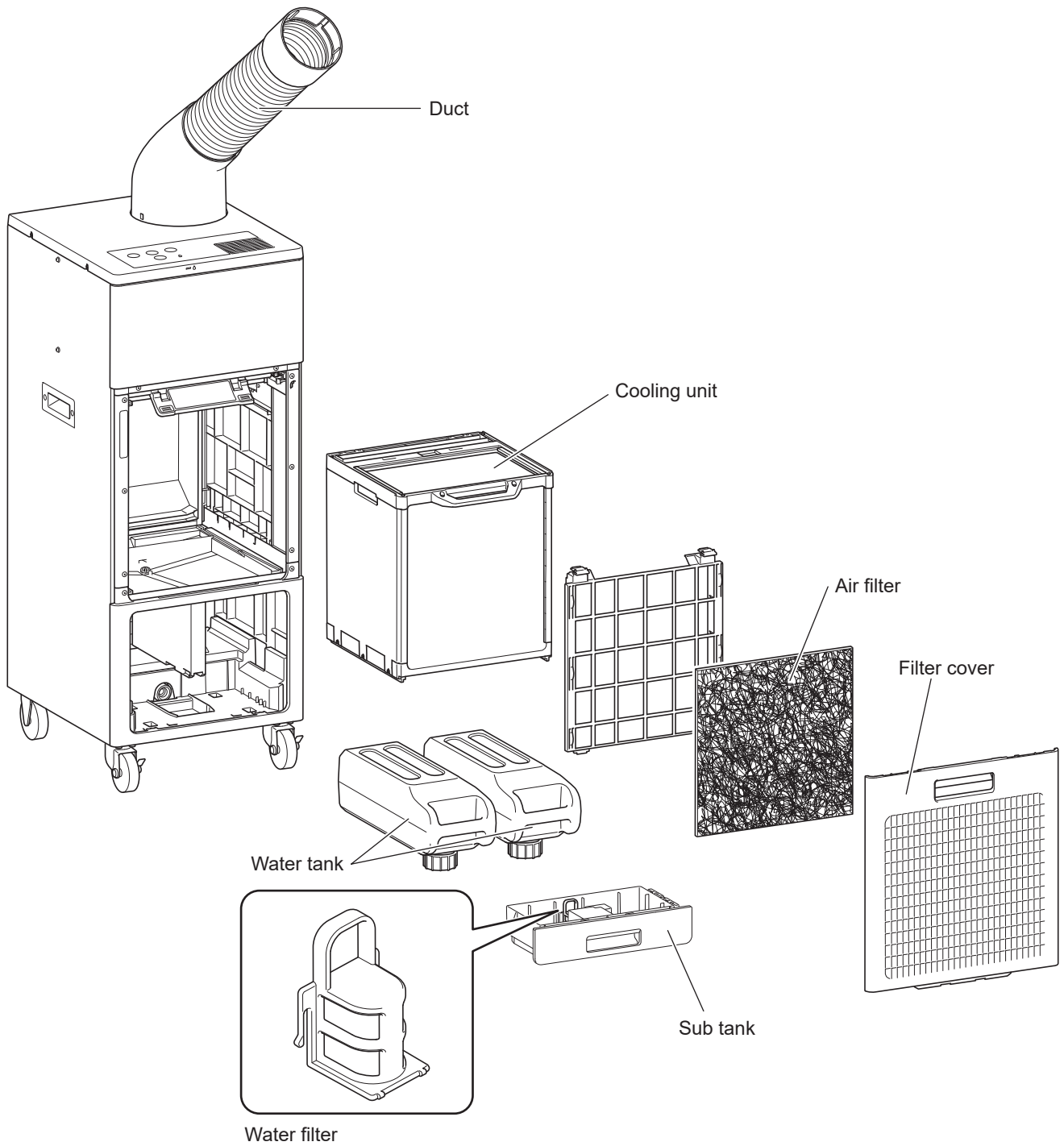
Part Names

[Product body]



Part Names (continued)

[Accessories]



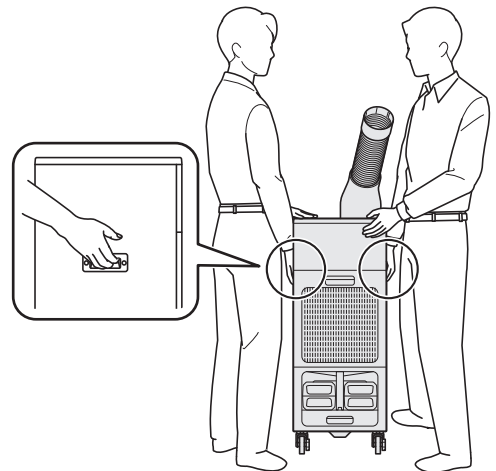
1. Preparation before Use

How to lift this product

⚠ WARNING

For safety, always lift this product with at least two people.

When lifting this product, hold the handle with one hand as shown in the figure and place the other hand on the product.



Securing and unlocking this product

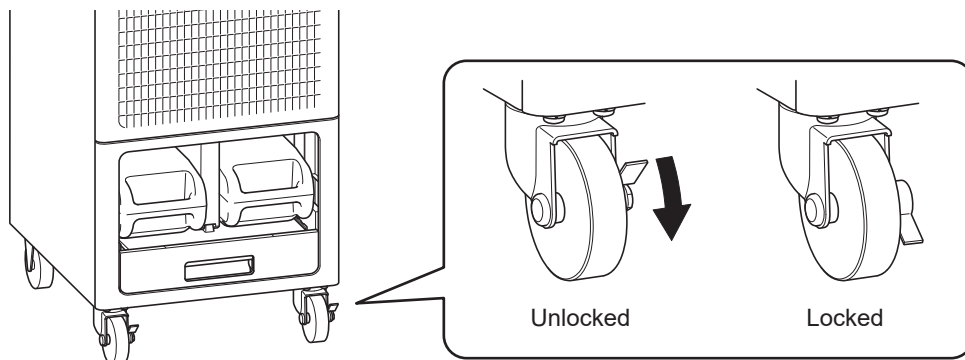
⚠ CAUTION

When not moving this product, be sure to secure it in place.

If the casters (with locks) are not secured in two places, the product may move during maintenance, such as cleaning, causing an injury.

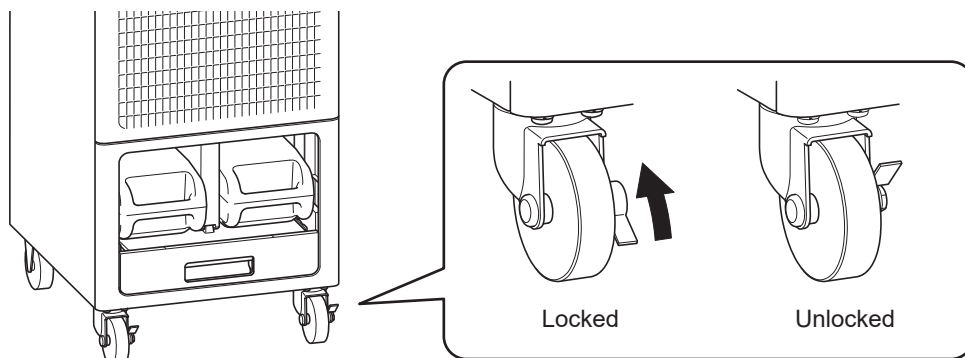
[How to fix]

1. Lock (ON) the two casters (with locks) of this product.



[How to release]

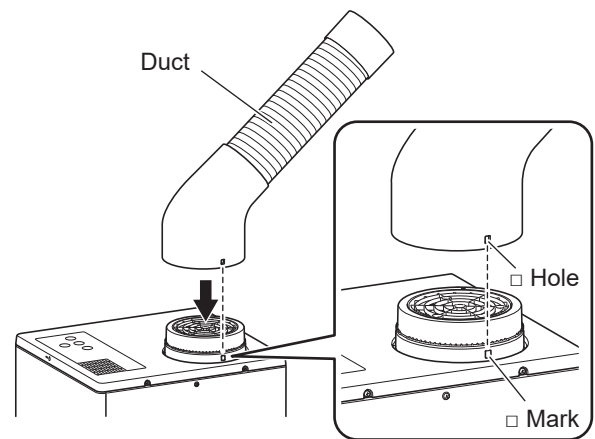
1. Unlock (OFF) the two casters (with locks) of this product.



How to attach and remove the duct

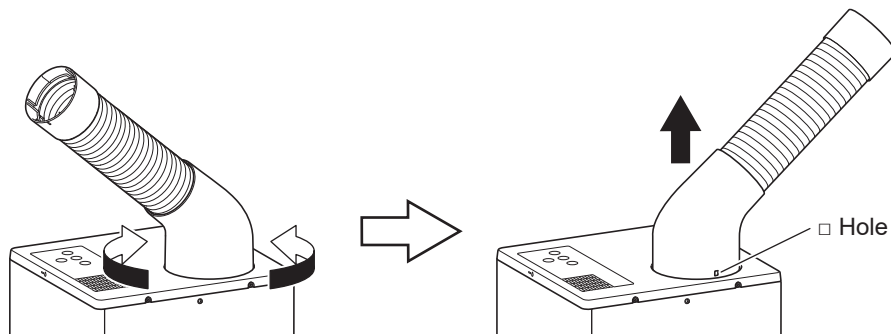
[Attaching the duct]

1. Align the position of the □ hole on the duct with the position of the □ mark on the main unit before attaching.
 - * Lower the duct until you feel resistance.
2. Point the duct in the direction you prefer.
 - * If you attempt to align the □ mark while manually changing the duct direction, the duct may come off.



[Removing the duct]

1. Rotate the duct to align the position of the □ hole on the duct with the position of the □ mark on the main unit.
2. Remove the duct upwards.
 - * You can turn the duct in either direction to remove it.

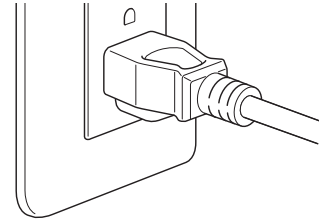


! CAUTION

If the casters (with locks) are not secured in two places, the product may move while you are cleaning this product, causing an injury.

Connecting the power plug

Make sure you insert the power plug securely into the electrical socket (AC 220-230 V).

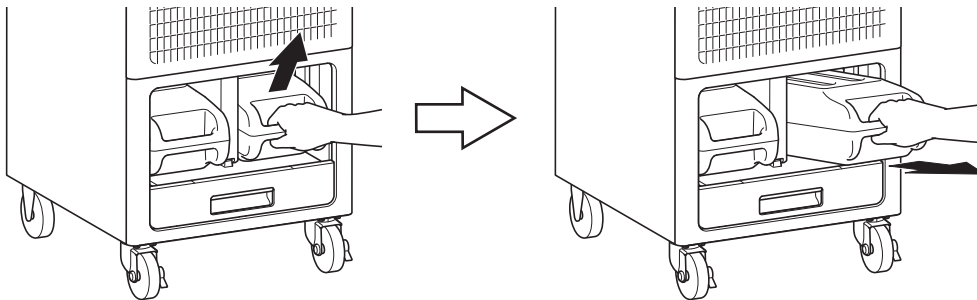


⚠ WARNING

- Use an electrical socket equipped with an earth leakage breaker. Incomplete earthing may result in an electric shock.
 - DO NOT use any power source other than AC 220 to 230 V.
 - Make sure you insert the power plug firmly into the electrical socket.
 - Periodically unplug the power cord and power plug from the electrical socket and check them for damage, such as heat generation, rust, bends, abrasions, or cracks.
 - DO NOT forcibly bend or pull the power cord.
 - Unplug the power plug if the cord is not to be used for an extended period of time.
 - DO NOT plug or unplug the power plug with wet hands.
 - When cleaning the product, always make sure you unplug the power plug completely from the electrical socket.
-

How to supply water

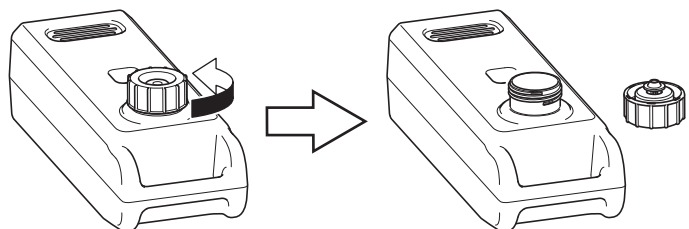
1. Lift the handle of the water tank and pull it towards you to remove it.



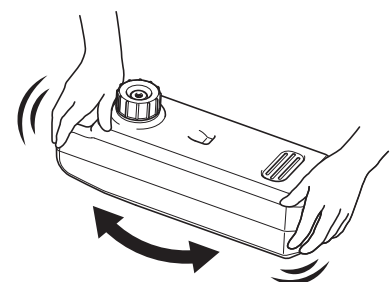
⚠ CAUTION

When removing the water tank from this product, lock (ON) the two casters (with lock) of this product before removing it. If you try to remove the water tank with the casters (with lock) unlocked (OFF), the product may move, causing an injury.

2. Remove the water inlet/outlet cap from the water tank.

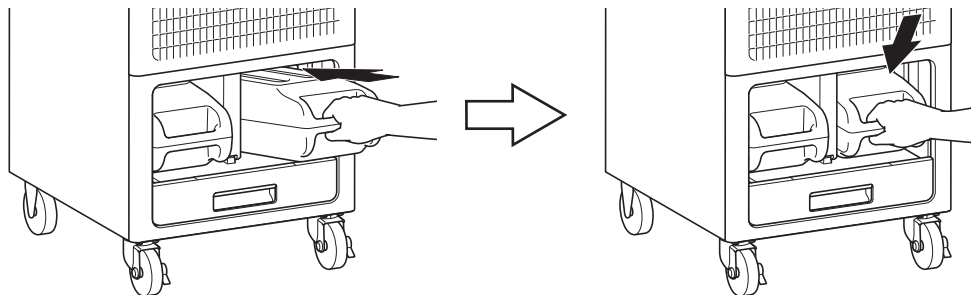


3. Fill the water tank with a small amount of water, attach the water inlet/outlet cap, and then shake it to wash it.



How to supply water (continued)

4. Tilt the water inlet/outlet port of the water tank downwards and pour out the water used for rinsing by shaking the tank.
5. Supply tap water.
6. Securely close the water inlet/outlet cap on the water tank.
7. Attach the water tank to the main unit.



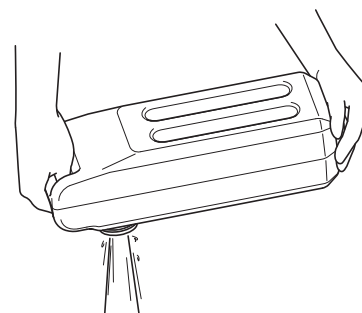
NOTE

- When carrying a water tank filled with water, use both hands.
 - Check that there are no water leaks from the water tank or sub tank.
 - * If there is a leak, close the water inlet/outlet cap again, check for cracks or other damage, and then contact the dealer you purchased the product from or Brother customer service. For purchasing optional items, see page 27.
-

How to drain

[When draining the water from the water tank]

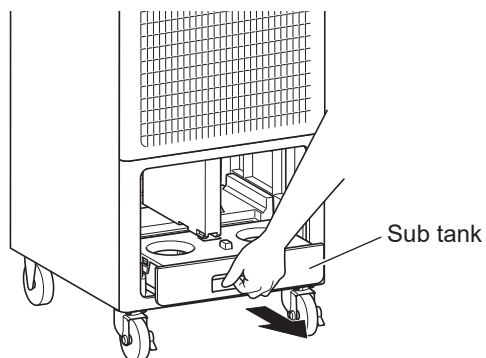
1. Lift the handle of the water tank and pull it towards you to remove it. (For more information, see page 10.)
2. Remove the water inlet/outlet cap from the water tank. (For more information, see page 10.)
3. Drain the water by tilting the water inlet/outlet port of the water tank downwards.
4. Close the water inlet/outlet cap securely.
5. Attach the water tank to the main unit. (For more information, see page 11.)



How to drain (continued)

[When draining the water from the sub tank]

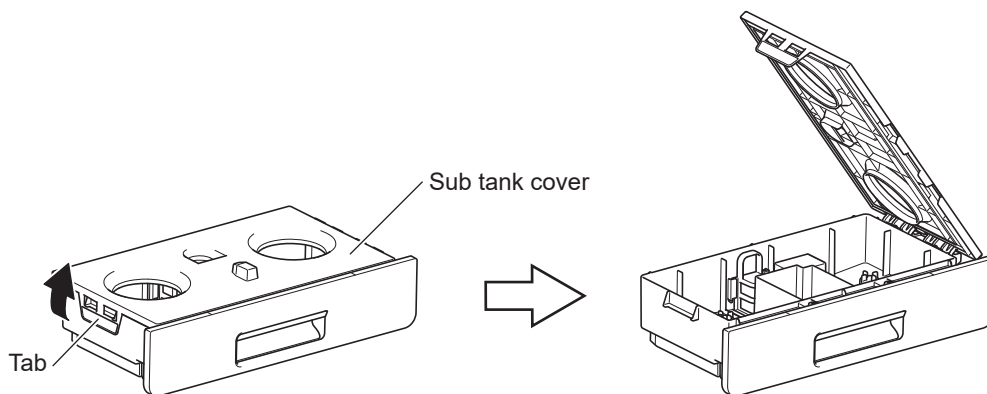
1. Remove the two water tanks from the main unit.
2. Remove the sub tank from the main unit.



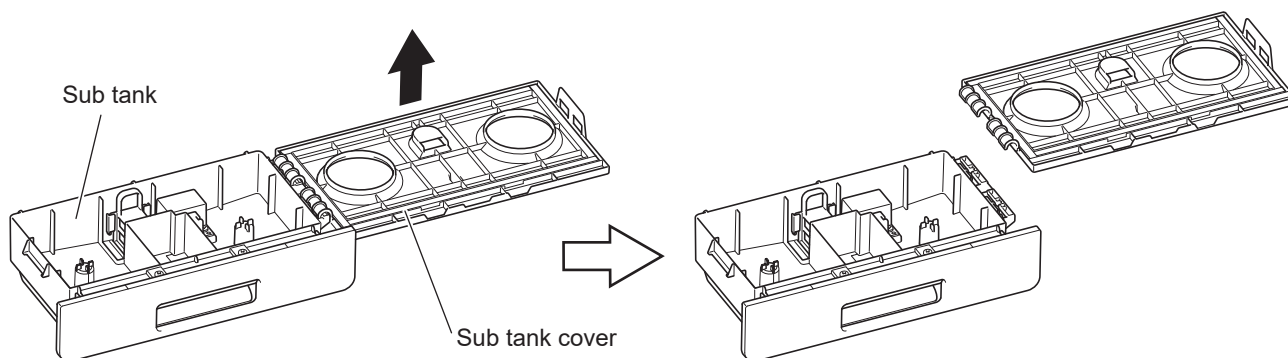
NOTE

When removing the sub tank from the main unit, be sure to remove the water tank first before removing it. The sub tank cannot be removed while the water tank remains attached.

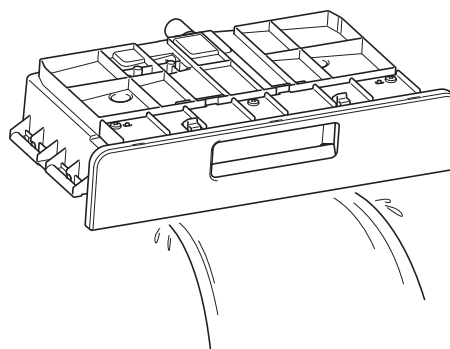
3. Lift the tab on the left side and open the sub tank cover.



4. Open the sub tank cover completely and remove it upwards.

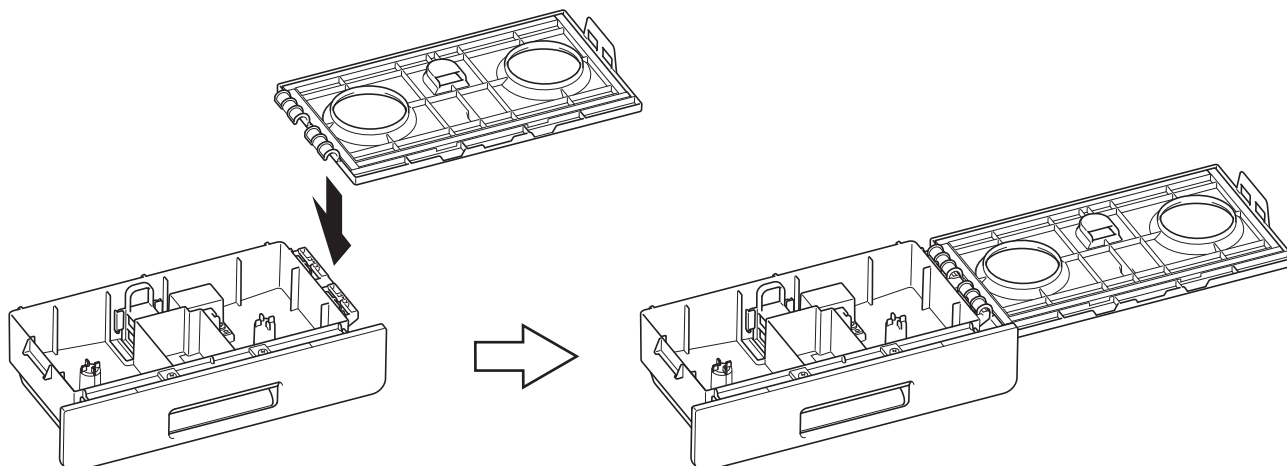


5. Drain the water from the sub tank.



How to drain (continued)

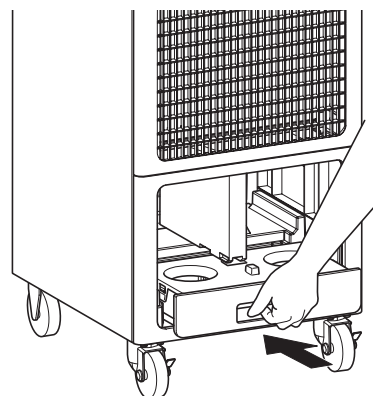
6. Attach the sub tank cover to the sub tank.



7. Close the sub tank cover and attach the tab.

8. Attach the sub tank to the main unit.

* Be sure to insert it all the way.



9. Attach the water tank to the main unit. (For more information, see page 11.)

IMPORTANT

- If you do not use the unit every day, use the automatic stop function to dry the inside of the unit when the operation is finished to dry it out. After the drying operation, be sure to drain the remaining water from the water tank and sub tank. If you leave water in the water tank or sub tank, it may cause odours due to decay or microbial growth.
 - When transporting or moving this product, drain the water from the water tank and sub tank before moving it.
-

How to replace the duct

When replacing with a new duct, check "How to attach and remove the duct" (see page 9 for more information) before proceeding with the work.

2. First of All, Let's Try

Starting operation

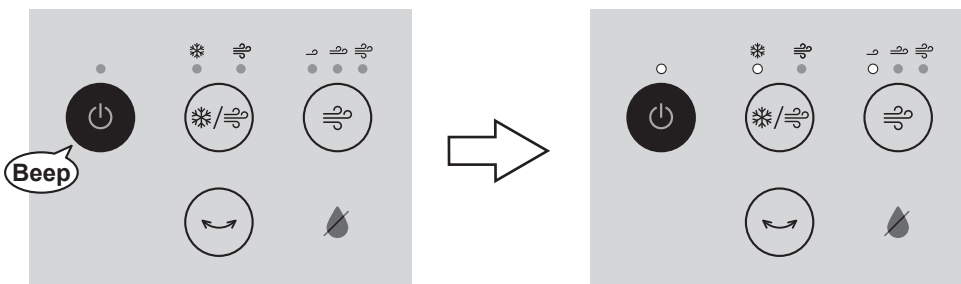
⚠ CAUTION

Make sure the main unit is placed on a level surface and that the casters (with locks) are locked (ON) in two places. (For more information, see page 8.)

NOTE

Make sure there is enough space for ventilation equipment. If used in a small enclosed space, the humidity increases, disabling the cooling capacity from being fully utilised. (When combined with a forced ventilation device, such as a ventilator, it is effective at improving the cooling capacity.)

When you press the "ON/OFF" button (🔌), a beep sounds, the "ON/OFF" lamp, the "Cool Air" lamp and the "Low" lamp light up green, and operation starts.

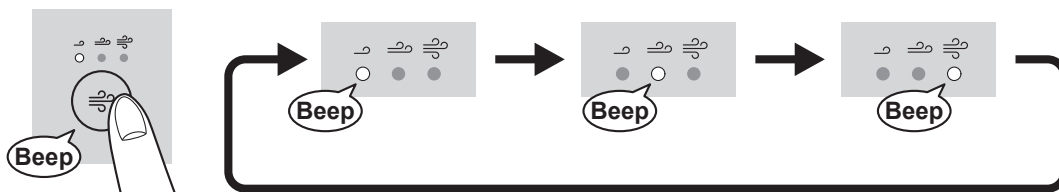


Tips

Depending on the usage environment, it may take some time for cool air to start coming out after operation has started.

Changing the air volume

Each time you press the "Air Volume" button, a beep sounds and the air volume changes.



Tips

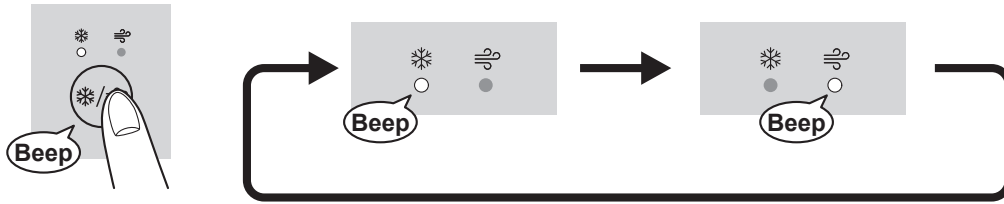
When operation starts, the product works at the air volume set the last time it was used.

Changing the mode

Each time you press the "Mode" button, a beep sounds and the operation mode changes. When operation starts, the product is set to Cool Air mode, so set it to your preferred mode.

"Cool Air": The fan and pump are activated to perform the cool air operation.

"Fan": Only the fan is activated to blow air.



Muting the operation sound

Hold down the "Mode" button to switch to Mute mode.

If you hold down the "Mode" button in Mute mode, Mute mode is cancelled.

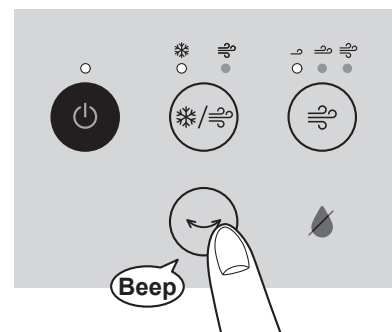
* If an error occurs, an error sound sounds regardless of Mute mode. (For more information, see page 26.)

Switching the swinging

Each time you press the "Swing" button, swinging is switched between ON and OFF.

The swing function is stopped when operation starts.

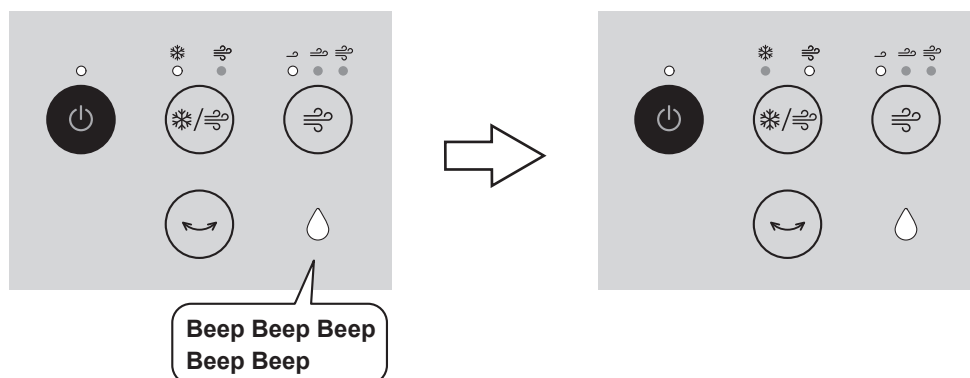
Press the "Swing" button to start the swing function.



Timing of water supply

If the water in the tank runs out during operation in Cool Air mode, the "Water Supply" lamp lights up and a buzzer sounds for 10 seconds to notify you. The Water Supply lamp then lights up until water is supplied.

The pump inside the product stops, and the mode is automatically switched to Fan mode.



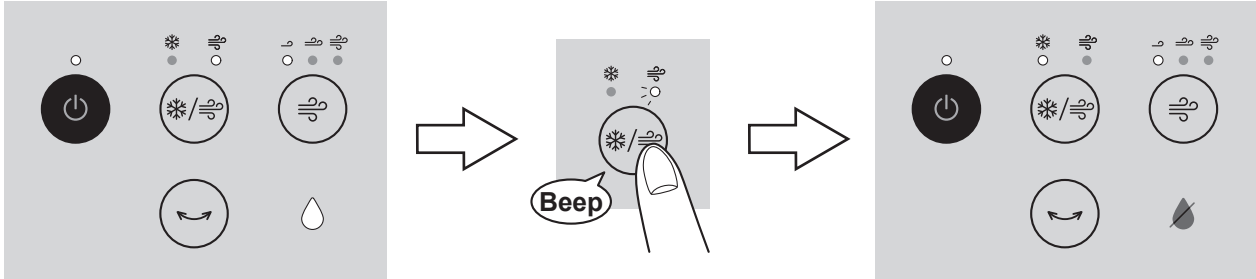
Tips

Even if there is no water in the water tank, air comes out in Fan mode if the unit is operating.

Timing of water supply (continued)

[How to cancel]

1. Supply water to the water tank while operating. (For more information, see page 10.)
2. Press the "Mode" button to switch to Cool Air mode.
 - * The "Water Supply" lamp turns off.

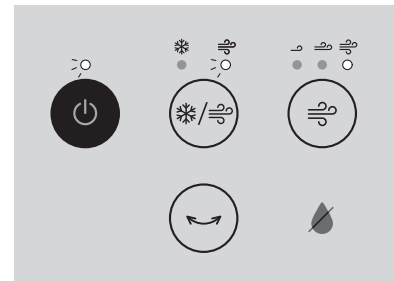


Stopping operation

[Automatic stop function]

Press the "ON/OFF" button (⏻) while the unit is running.

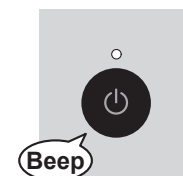
- * The automatic stop function activates and the unit starts drying operation. The "ON/OFF" and "Fan" lights flash, and the air volume lamp lights up according to the selected air volume. Operation automatically stops after 30 minutes.
- * The pump stops while the automatic stop function is active, and the unit operates in Fan mode to dry the inside of the unit.



[Forced stop function]

Hold down the "ON/OFF" button (⏻) while the unit is running or while the automatic stop function is active.

- * The "ON/OFF" light turns off, and the system forcibly stops all operations.



IMPORTANT

If you force stop the unit to end operation after using Cool Air mode, the inside of the unit will not be dried. This may cause bacteria to grow and cause odours.

NOTE

Do not pull the power cord out of the outlet while the unit is operating except under abnormal circumstances.

3. How to Clean

NOTE

- Perform maintenance as needed by checking the condition of the air filter, cooling unit, sub-tank, and water supply filter for dirt.
- Cleaning them early makes it easier to remove dirt and help maintain cooling performance.
- Be sure to clean the unit before using it after a long period of storage and before storing it after it has been used.

■ Guideline for cleaning frequency

* The cleaning frequency varies depending on the usage environment and conditions.

Draining the remaining water in the water tank and sub tank (page 11)	Daily
Cleaning the air filter (page 17)	Once every two weeks
Cleaning the cooling unit (page 19)	Once every two weeks
Cleaning the sub tank (page 23)	Once every two weeks
Cleaning the water supply filter (page 24)	Once every two weeks

Maintaining the air filter

⚠ WARNING

Always make sure the power plug is securely unplugged from the electrical socket.

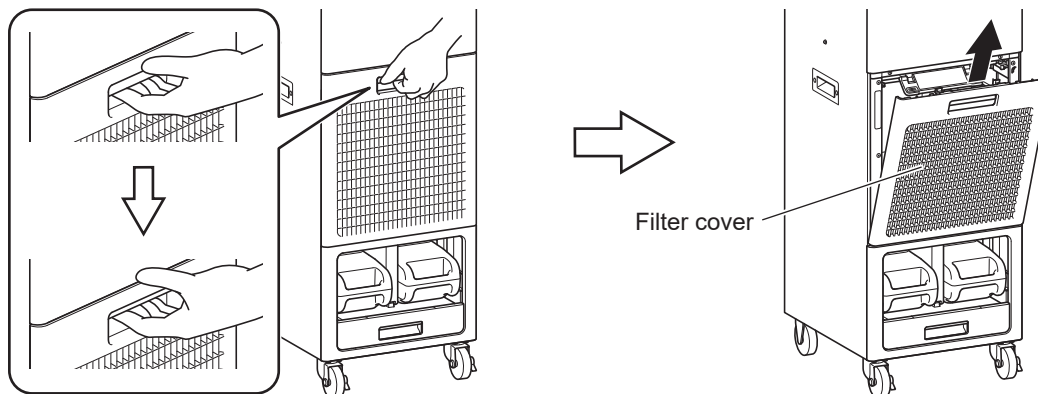
⚠ CAUTION

- Make sure the main unit is placed on a level surface and that the casters (with locks) are locked (ON) in two places.
- Please allow the unit to perform its cleaning routine after pressing the "ON/OFF" button (⏻) before maintenance. This will avoid excess water leakage during maintenance.

IMPORTANT

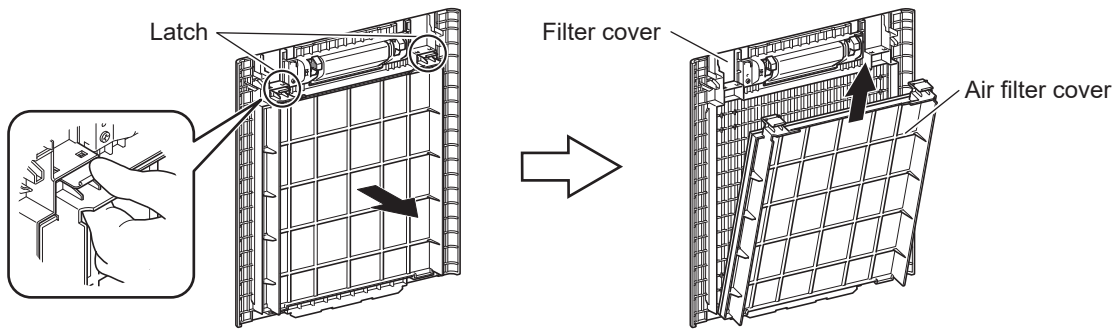
If the air filter becomes very dirty, it may cause a reduction in cooling performance and airflow volume, so clean the air filter approximately once every two weeks.

1. Pull the filter cover lever to remove it from the unit.

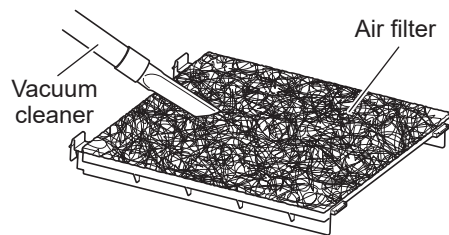


Maintaining the air filter (continued)

2. Pinch the two latches to remove the air filter cover from the filter cover.



3. Vacuum the dust off the air filter or wash it thoroughly with water or lukewarm water.

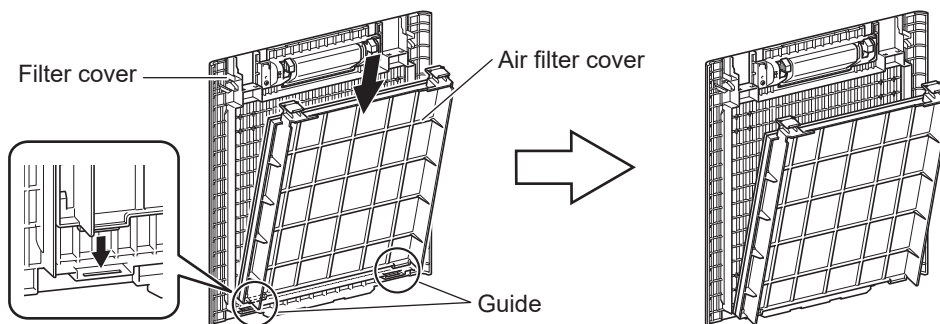


4. After cleaning, rinse thoroughly with water and dry.

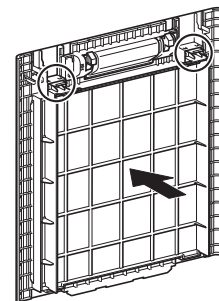
IMPORTANT

- DO NOT use organic solvents, such as paint thinner or trichloroethylene for cleaning.
 - If the air filter is damaged or torn, it may not function correctly. If the air filter is damaged or torn, replace it immediately. Doing so may cause the unit to malfunction.
-

5. Insert the two guides on the air filter cover into the filter cover and attach the air filter cover.

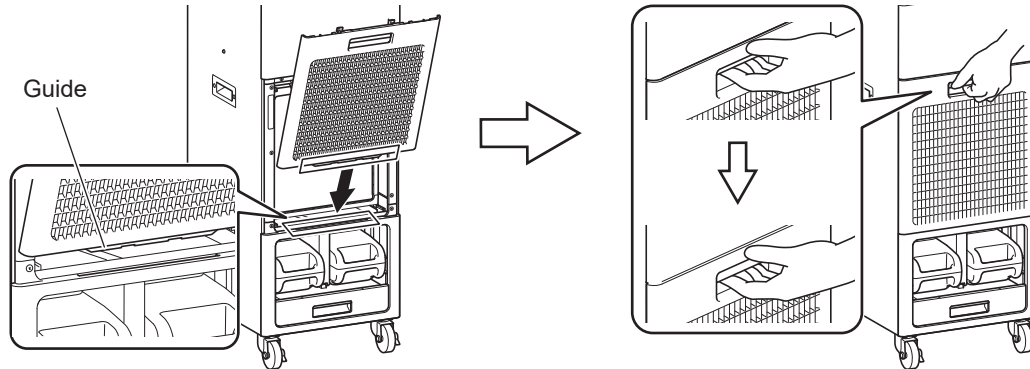


6. Secure the two latches on the air filter cover to the filter cover.



Maintaining the air filter (continued)

7. Insert the filter cover guide into the main unit, release the lever, and attach the filter cover to the main unit.



Tips

Close the filter cover until you hear a click.

If you press the "ON/OFF" button (⏻) when the filter cover is not completely closed, all LEDs on the operation panel light up, and the unit does not work.

Press the "ON/OFF" button (⏻) again with the filter cover closed.

Cleaning the cooling unit

⚠ WARNING

DO NOT remove the filter cover while the product is operating.
You may be injured if you touch the rotating parts.

⚠ CAUTION

Make sure the main unit is placed on a level surface and that the casters (with locks) are locked (ON) in two places.

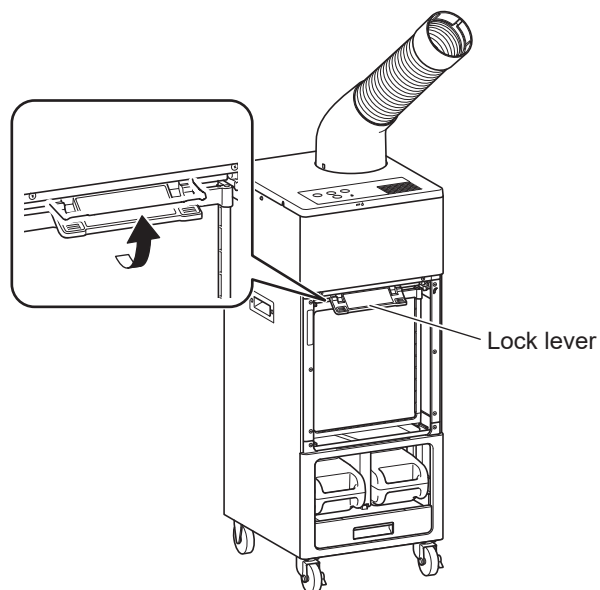
IMPORTANT

If the cooling unit becomes very dirty, it may cause a reduction in cooling performance and airflow volume, so clean the cooling unit approximately once every two weeks.

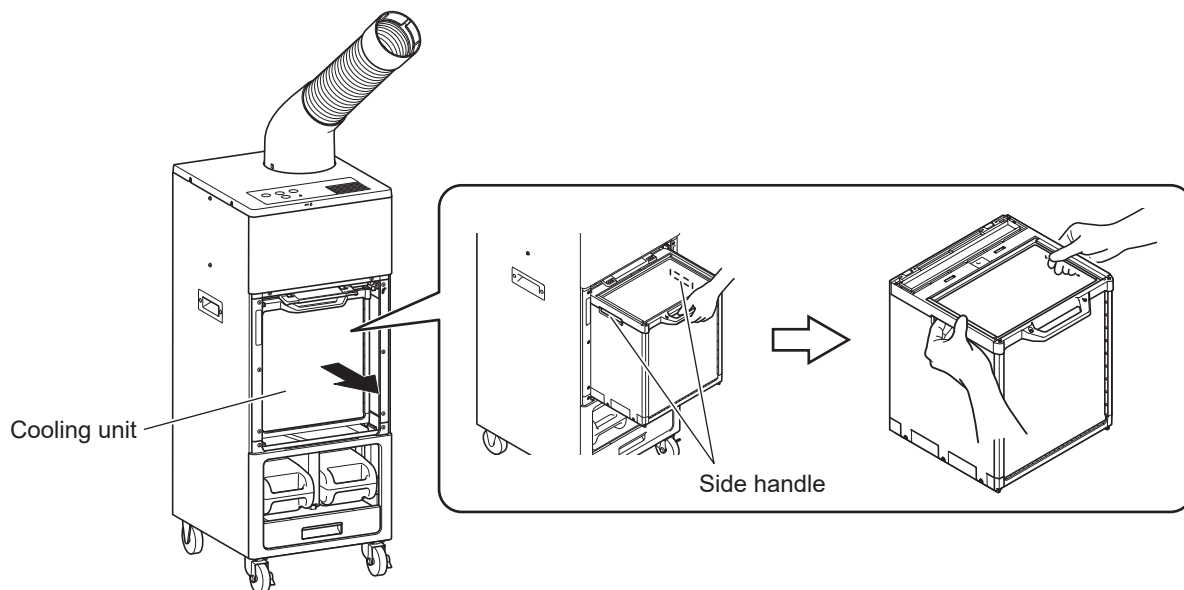


Cleaning the cooling unit (continued)

1. Remove the filter cover from the main unit. (For more information, see page 17.)
2. Raise the lock lever.



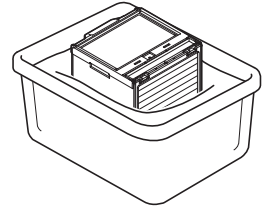
3. Pull out the cooling unit with one hand until you can see the handle on the side of the cooling unit, then use both hands to remove the cooling unit.



Cleaning the cooling unit (continued)

4. Dissolve baking soda or citric acid thoroughly in lukewarm water (below 40°C) and soak the cooling unit for about 30 minutes to wash.

- * Use baking soda to remove oily stains and odours, and citric acid to remove water stains and mold.
- * Amount of baking soda used (approximate): 40 g per 1 L
- * Amount of citric acid used (approximate): 6 g per 1 L



IMPORTANT

- DO NOT mix baking soda and citric acid.
 - If baking soda or citric acid remains, it may cause odours or malfunction.
 - If you continue to use the cooling unit without cleaning it using baking soda or citric acid, its lifespan will shorten. You may have to replace it even before three years have passed.
 - Purchase baking soda and citric acid at a pharmacy, home improvement centre, or online, and store them appropriately.
 - If it is difficult to remove water stains, soak for a longer period (up to two hours).
-

5. Wash the cooling unit with tap water.

- * If the cooling element has been removed, wash it with tap water as well.

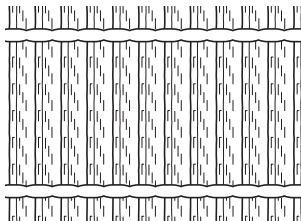
6. Attach the cooling unit to this product.

- * If you have removed the cooling element, first attach it back into the cooling unit.

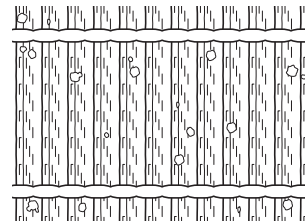
Tips

If white scale (scale) is adhered on the cooling element (see the next page), we recommend washing it with citric acid.

Without scale

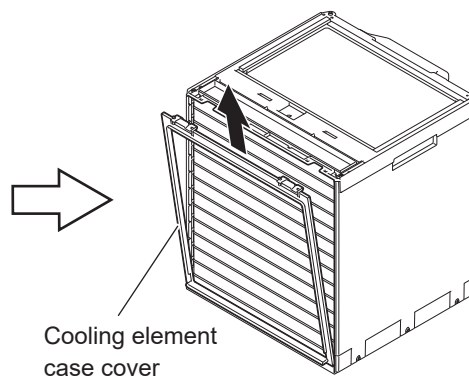
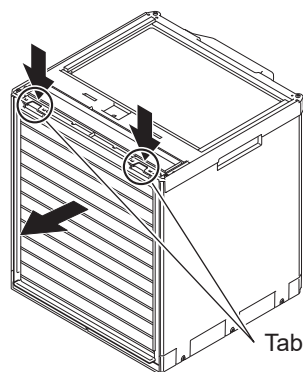


With scale



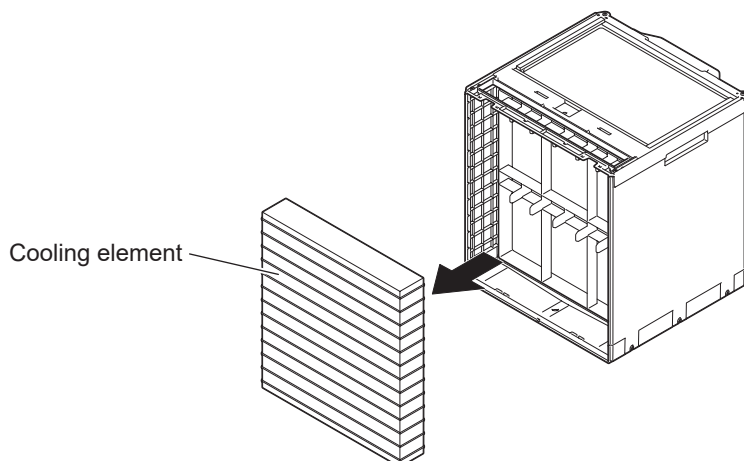
If you can visually check that the white scale (scale) is only on the cooling element, you can remove the cooling element from the cooling unit and wash it.

- (1) Press in the two tabs and remove the cooling element case cover.



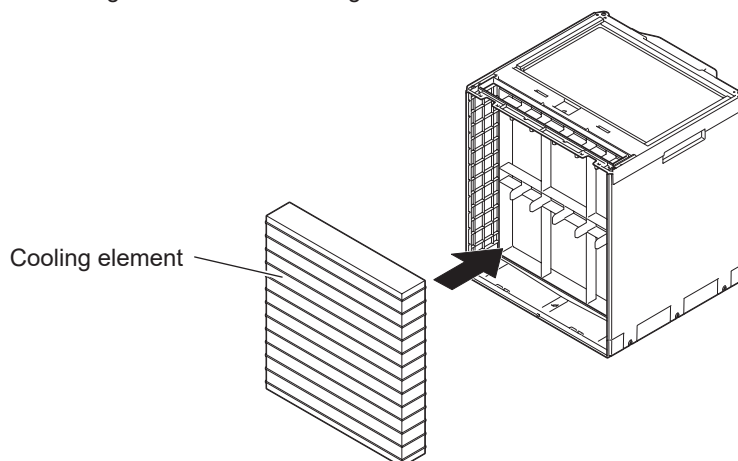
Cleaning the cooling unit (continued)

(2) Remove the cooling element from the cooling unit.

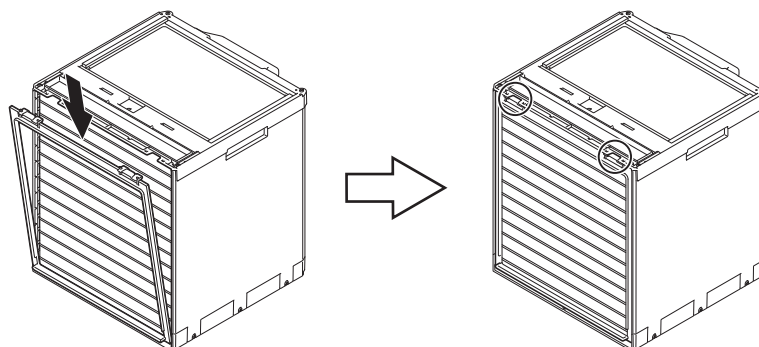


(3) Thoroughly dissolve citric acid in lukewarm water (below 40°C) and soak the cooling element for about 30 minutes to wash it.

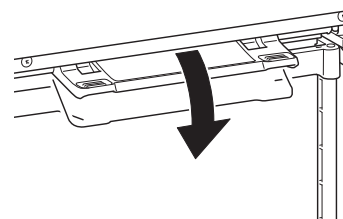
(4) Attach the cooling element to the cooling unit.



(5) Fit the two tabs, and attach the cooling element case cover to the cooling unit.



7. Lower the lock lever.



Tips

Make sure you lower the lock lever. The filter cover cannot be attached when the lock lever remains raised. If you try to attach the filter cover with the lock lever raised, the parts may be damaged.

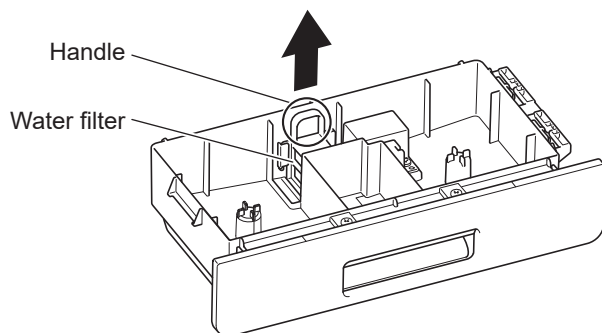
8. Attach the filter cover to the main unit. (For more information, see page 19.)

Cleaning the sub tank

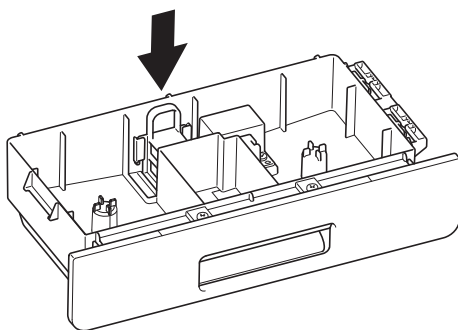
IMPORTANT

- Drain any remaining water in the sub tank every day.
 - If the sub tank becomes very dirty, it may cause a decrease in the cooling function and air volume, so clean the sub tank approximately once every two weeks.
-

1. Remove the water tank and sub tank from the main unit and remove the sub tank cover.
(For more information, see page 11.)
2. Pull the handle of the water filter up to remove the water filter.



3. Wash the sub tank and sub tank cover with tap water.
4. Attach the water filter.



Tips

Lower the water filter until you hear a click.

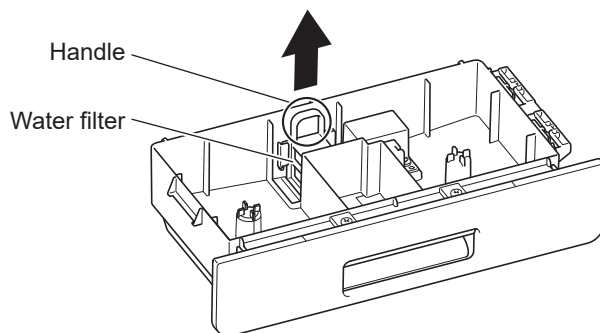
5. Attach the sub tank and water tank with the sub tank cover attached to the main unit.
(For more information, see page 13.)

Cleaning the water filter

IMPORTANT

If the water filter becomes very dirty, it may cause a reduction in cooling performance and airflow volume, so clean the water filter approximately once every two weeks.

1. Remove the water tank and sub tank from the main unit and remove the sub tank cover.
(For more information, see page 11.)
2. Pull the handle of the water filter up to remove the water filter.

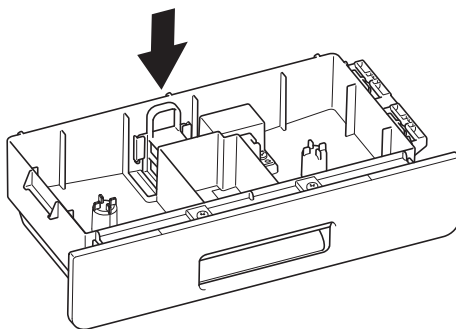


3. Wash the water filter with tap water.

Tips

If the water filter is very dirty, replace it with a new one.

4. Attach the water filter.



Tips

Lower the water filter until you hear a click.

5. Attach the sub tank and water tank with the sub tank cover attached to the main unit.
(For more information, see page 13.)

4. Troubleshooting

If the solution in the table below is "Contact your dealer" or if the solution does not work even after you followed the solution, contact the dealer where you purchased the product or Brother customer service.

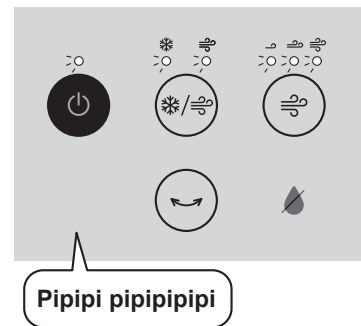
Symptom	Cause	Action
<ul style="list-style-type: none"> Does not work at all 	<ul style="list-style-type: none"> Power is not turned on. 	<ul style="list-style-type: none"> Turn the power on (page 10)
<ul style="list-style-type: none"> Does not swing 	<ul style="list-style-type: none"> The "Swing" button is not pressed. Malfunction around the swing mechanism 	<ul style="list-style-type: none"> Press the "Swing" button. Contact your dealer.
<ul style="list-style-type: none"> Low air volume 	<ul style="list-style-type: none"> Low power supply voltage Air filter or cooling element is clogged. Small space on the intake side 	<ul style="list-style-type: none"> Contact your electrician. Clean the air filter or cooling element (page 17, 19) Ensure an sufficient space (50 cm or more).
<ul style="list-style-type: none"> The water supply lamp lights up. 	<ul style="list-style-type: none"> The tank is low in water. 	<ul style="list-style-type: none"> Fill with water. (page 10)
<ul style="list-style-type: none"> The water supply lamp lights up even though there is water in the water tank 	<ul style="list-style-type: none"> The lamp does not turn off automatically after water supply. No water has accumulated in the sub tank immediately after water supply. The unit is tilted. The water tank is not securely attached to the unit. 	<ul style="list-style-type: none"> Press the "Mode" button once. Wait a little while after filling with water, and then press the "Mode" button once. Install on a level surface. Make sure you insert the water tank all the way to the end of the unit. (page 11)
<ul style="list-style-type: none"> No cold air comes out even though there is water in the water tank. 	<ul style="list-style-type: none"> The unit is tilted. The water tank is not securely attached to the unit. The sub tank is not inserted all the way to the end. 	<ul style="list-style-type: none"> Install so that it is level. Make sure you attach the water tank to the unit. (page 11) Insert all the way to the end.
<ul style="list-style-type: none"> Water leaking from the unit 	<ul style="list-style-type: none"> The unit is not kept level. Part damage 	<ul style="list-style-type: none"> Level the unit. Contact your dealer.
<ul style="list-style-type: none"> Vibrations or noises occur. 	<ul style="list-style-type: none"> Failure in the fan or around the fan 	<ul style="list-style-type: none"> Contact your dealer.
<ul style="list-style-type: none"> There is an unpleasant odour in the cool air. 	<ul style="list-style-type: none"> The circulating water or bacteria are growing in the circulation path. The cooling unit has noticeable dirt on it, such as black mold. Water other than tap water is being used. 	<ul style="list-style-type: none"> Clean the water tank and sub tank, and supply tap water. (page 10) Clean or replace the cooling unit. (page 19) Use tap water.
<ul style="list-style-type: none"> Air is coming out, but the water in the tank does not decrease, or the airflow is small. 	<ul style="list-style-type: none"> Dust is on the air filter. Water stains are on the cooling element. The unit is in Fan mode. Pump malfunction The sub tank is not inserted all the way to the end. 	<ul style="list-style-type: none"> Clean the air filter. (page 17) Clean the cooling element. (page 19) Press the "Mode" button to switch to Cool air mode Contact your dealer. Insert all the way to the end.
<ul style="list-style-type: none"> Noises are heard. 	<ul style="list-style-type: none"> The "bubbling" sound is caused by air getting into the water tank when water is supplied from the water tank to the sub tank The "buzzing" and "zee" sounds are caused by the fan running. 	<ul style="list-style-type: none"> This is not abnormal. This is not abnormal. If the sound is louder than usual, clean the air filter and cooling element before use. (page 17, 19)
<ul style="list-style-type: none"> An odour is emitted. 	<ul style="list-style-type: none"> The cooling element and sub tank are dirty. 	<ul style="list-style-type: none"> Clean the cooling element and sub tank (page 19, 23)

[About when an error occurs]

When an error occurs, an error sound is heard, and all the lights flash. The error sound "Pipipi...pipipipipi" is emitted for 10 seconds.

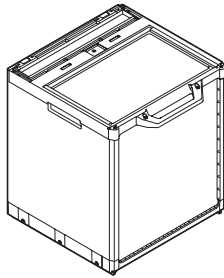

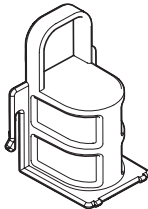
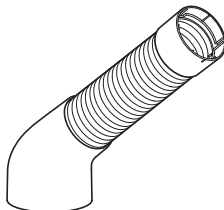
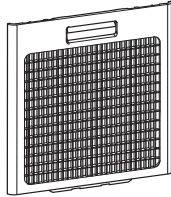
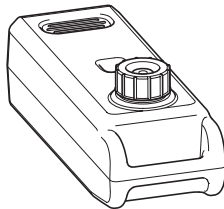
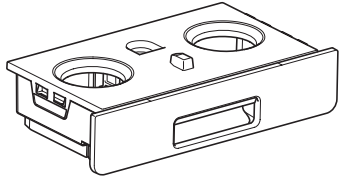
To stop the error sound, hold down the "ON/OFF" button (⏻) to stop the product from operating, then plug the power cord back in. After that, clean the water filter (page 24).

After cleaning the water filter, press the "ON/OFF" button (⏻) again to start operation. If an error sound occurs at this time, contact the dealer where you purchased the product or Brother customer service.



5. Accessories

Order the following accessories from the dealer where you purchased the product:

	Product name (Model No.)	Note
Supplies	Cooling unit (7A-1001) 	We recommend replacing the air filter every three years (when operated for eight hours a day, six months a year, and cleaned using citric acid once a month). If dirt or water stains become difficult to remove or the filter is severely damaged or misshapen, we recommend replacing the air filter within three years.
	Air filter (7A-2001) 	We recommend replacing the unit every three years. If it becomes difficult to remove dirt or if odours develop, we recommend replacing the unit within three years.
	Water filter (7A-3001) 	We recommend replacing the filter every three years. If the filter is clogged with foreign objects or severely damaged, we recommend replacing it within three years.
Optional items	Duct (7R-1001) 	Replace parts if they become worn, damaged, or lost.
	Filter cover (7R-2001)  <p>* Including the air filter and air filter cover</p>	
	Water tank (7R-3001) 	
	Sub tank (7R-4001)  <p>* Including the water filter</p>	

6. Specifications

Product name	Spot Cooler
Model No.	PD-7100S
Type	Neck swinging type
Power supply voltage and frequency	AC 220-230 V, 50/60 Hz
Power consumption	Air volume Strong: 220 W, Medium: 140 W, Weak: 50 W
Air volume	Strong: 500 m ³ /h, Medium: 410 m ³ /h, Weak: 300 m ³ /h
Swing angle	Approximately 80°
Water tank capacity	Approximately 10 L (approximately 5.0 L x 2)
Continuous cool air usage time ¹	Approximately 6 hours
Operating noise ²	63 dB
Cord length	2 m
External dimensions (width x depth x height)	390 mm x 430 mm x 990 mm (excluding duct opening)
Weight	32 kg ³

This product is intended for indoor use in a factory environment, and is not appropriate for typical household use.

* 1 Air volume Medium at 35°C / 50%

* 2 Air volume Medium

* 3 Tank empty

7. When Storing (When Not Using for a Long Period of Time)

1. Drain all the remaining water from the water tank and sub tank.
2. Perform maintenance according to "3. How to Clean".
3. Operate in Fan mode for about 1.5 hours to dry the inside of the unit, then stop operation.
4. Unplug the power cord from the electrical socket.
5. When the product and parts are dry, put a cover on them to prevent dust from accumulating, and store them upright, not lying down, indoors in a low humidity environment.